

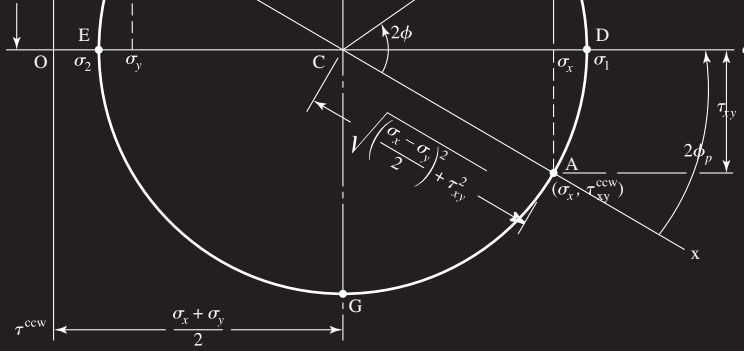
ELEVENTH EDITION IN SI UNITS

Shigley's  
**MECHANICAL  
ENGINEERING DESIGN**

**Mc  
Graw  
Hill**

Richard G. Budynas  
J. Keith Nisbett

**Shigley's  
Mechanical  
Engineering  
Design**



# Shigley's Mechanical Engineering Design

Eleventh Edition in SI Units

**Richard G. Budynas**

*Professor Emeritus, Kate Gleason College of Engineering,  
Rochester Institute of Technology*

**J. Keith Nisbett**

*Associate Professor of Mechanical Engineering,  
Missouri University of Science and Technology*

*Adapted by*

**Kiatfa Tangchaichit**

*Assistant Professor, Department of Mechanical Engineering,  
Faculty of Engineering, Khon Kaen University*

**Mc  
Graw  
Hill**



SHIGLEY'S MECHANICAL ENGINEERING DESIGN,  
ELEVENTH EDITION IN SI UNITS

Copyright ©2021 by McGraw Hill Education. All rights reserved. Previous editions © 2015, 2011 and 2008. No part of this publication may be reproduced or distributed in any form or by any means, or stored in a database or retrieval system, without the prior written consent of the publisher, including, but not limited to, in any network or other electronic storage or transmission, or broadcast for distance listening.

Some ancillaries, including electronic and print components, may not be available to customers outside of the United States.

This book cannot be re-exported from the country to which it is sold by McGraw Hill.

Cover Image: udom\_1976/Shutterstock

When ordering this title, use ISBN 978-981-4923-15-6 or MHID 981-4923-15-X

## *Dedication*

---

*To my wife, Joanne. I could not have accomplished what I have without your love and support.*

*Richard G. Budynas*

*To my colleague and friend, Dr. Terry Lehnhoff, who encouraged me early in my teaching career to pursue opportunities to improve the presentation of machine design topics.*

*J. Keith Nisbett*

# Dedication to Joseph Edward Shigley

**Joseph Edward Shigley (1909–1994)** is undoubtedly one of the most well-known and respected contributors in machine design education. He authored or coauthored eight books, including *Theory of Machines and Mechanisms* (with John J. Uicker, Jr.), and *Applied Mechanics of Materials*. He was coeditor-in-chief of the well-known *Standard Handbook of Machine Design*. He began *Machine Design* as sole author in 1956, and it evolved into *Mechanical Engineering Design*, setting the model for such textbooks. He contributed to the first five editions of this text, along with coauthors Larry Mitchell and Charles Mischke. Uncounted numbers of students across the world got their first taste of machine design with Shigley's textbook, which has literally become a classic. Nearly every mechanical engineer for the past half century has referenced terminology, equations, or procedures as being from "Shigley." McGraw-Hill is honored to have worked with Professor Shigley for more than 40 years, and as a tribute to his lasting contribution to this textbook, its title officially reflects what many have already come to call it—*Shigley's Mechanical Engineering Design*.

Having received a bachelor's degree in Electrical and Mechanical Engineering from Purdue University and a master of science in Engineering Mechanics from the University of Michigan, Professor Shigley pursued an academic career at Clemson College from 1936 through 1954. This led to his position as professor and head of Mechanical Design and Drawing at Clemson College. He joined the faculty of the Department of Mechanical Engineering of the University of Michigan in 1956, where he remained for 22 years until his retirement in 1978.

Professor Shigley was granted the rank of Fellow of the American Society of Mechanical Engineers in 1968. He received the ASME Mechanisms Committee Award in 1974, the Worcester Reed Warner Medal for outstanding contribution to the permanent literature of engineering in 1977, and the ASME Machine Design Award in 1985.

Joseph Edward Shigley indeed made a difference. His legacy shall continue.

## About the Authors

**Richard G. Budynas** is Professor Emeritus of the Kate Gleason College of Engineering at Rochester Institute of Technology. He has more than 50 years experience in teaching and practicing mechanical engineering design. He is the author of a McGraw-Hill textbook, *Advanced Strength and Applied Stress Analysis*, Second Edition; and coauthor of a McGraw-Hill reference book, *Roark's Formulas for Stress and Strain*, Eighth Edition. He was awarded the BME of Union College, MSME of the University of Rochester, and the PhD of the University of Massachusetts. He is a licensed Professional Engineer in the state of New York.

**J. Keith Nisbett** is an Associate Professor and Associate Chair of Mechanical Engineering at the Missouri University of Science and Technology. He has more than 30 years of experience with using and teaching from this classic textbook. As demonstrated by a steady stream of teaching awards, including the Governor's Award for Teaching Excellence, he is devoted to finding ways of communicating concepts to the students. He was awarded the BS, MS, and PhD of the University of Texas at Arlington.

# Brief Contents

Preface xv

---

*Part 1*

**Basics 2**

- 1 Introduction to Mechanical Engineering Design 3
- 2 Materials 41
- 3 Load and Stress Analysis 93
- 4 Deflection and Stiffness 173

---

*Part 2*

**Failure Prevention 240**

- 5 Failures Resulting from Static Loading 241
- 6 Fatigue Failure Resulting from Variable Loading 285

---

*Part 3*

**Design of Mechanical Elements 372**

- 7 Shafts and Shaft Components 373
- 8 Screws, Fasteners, and the Design of Nonpermanent Joints 421
- 9 Welding, Bonding, and the Design of Permanent Joints 485
- 10 Mechanical Springs 525
- 11 Rolling-Contact Bearings 575
- 12 Lubrication and Journal Bearings 623
- 13 Gears—General 681
- 14 Spur and Helical Gears 739
- 15 Bevel and Worm Gears 791
- 16 Clutches, Brakes, Couplings, and Flywheels 829
- 17 Flexible Mechanical Elements 881
- 18 Power Transmission Case Study 935



---

|—— *Part* **4** |——

**Special Topics 954**

**19 Finite-Element Analysis 955**

**20 Geometric Dimensioning and Tolerancing 977**

**Appendixes**

**A Useful Tables 1019**

**B Answers to Selected Problems 1075**

**Index 1081**

# Contents

**Preface** xv

— *Part 1* —

**Basics** 2

**Chapter 1**

**Introduction to Mechanical Engineering Design** 3

- 1-1 Design 4
- 1-2 Mechanical Engineering Design 5
- 1-3 Phases and Interactions of the Design Process 5
- 1-4 Design Tools and Resources 8
- 1-5 The Design Engineer's Professional Responsibilities 10
- 1-6 Standards and Codes 12
- 1-7 Economics 13
- 1-8 Safety and Product Liability 15
- 1-9 Stress and Strength 16
- 1-10 Uncertainty 16
- 1-11 Design Factor and Factor of Safety 18
- 1-12 Reliability and Probability of Failure 20
- 1-13 Relating Design Factor to Reliability 24
- 1-14 Dimensions and Tolerances 27
- 1-15 Units 31
- 1-16 Calculations and Significant Figures 32
- 1-17 Design Topic Interdependencies 33
- 1-18 Power Transmission Case Study Specifications 34
- Problems** 36

**Chapter 2**

**Materials** 41

- 2-1 Material Strength and Stiffness 42
- 2-2 The Statistical Significance of Material Properties 48

- 2-3 Plastic Deformation and Cold Work 50
- 2-4 Cyclic Stress-Strain Properties 57
- 2-5 Hardness 61
- 2-6 Impact Properties 62
- 2-7 Temperature Effects 63
- 2-8 Numbering Systems 64
- 2-9 Sand Casting 66
- 2-10 Shell Molding 66
- 2-11 Investment Casting 67
- 2-12 Powder-Metallurgy Process 67
- 2-13 Hot-Working Processes 67
- 2-14 Cold-Working Processes 68
- 2-15 The Heat Treatment of Steel 69
- 2-16 Alloy Steels 72
- 2-17 Corrosion-Resistant Steels 73
- 2-18 Casting Materials 73
- 2-19 Nonferrous Metals 75
- 2-20 Plastics 78
- 2-21 Composite Materials 80
- 2-22 Materials Selection 81
- Problems** 87

**Chapter 3**

**Load and Stress Analysis** 93

- 3-1 Equilibrium and Free-Body Diagrams 94
- 3-2 Shear Force and Bending Moments in Beams 97
- 3-3 Singularity Functions 98
- 3-4 Stress 101
- 3-5 Cartesian Stress Components 101
- 3-6 Mohr's Circle for Plane Stress 102
- 3-7 General Three-Dimensional Stress 108
- 3-8 Elastic Strain 109
- 3-9 Uniformly Distributed Stresses 110
- 3-10 Normal Stresses for Beams in Bending 111

- 3–11 Shear Stresses for Beams in Bending 116
- 3–12 Torsion 123
- 3–13 Stress Concentration 132
- 3–14 Stresses in Pressurized Cylinders 135
- 3–15 Stresses in Rotating Rings 137
- 3–16 Press and Shrink Fits 139
- 3–17 Temperature Effects 140
- 3–18 Curved Beams in Bending 141
- 3–19 Contact Stresses 145
- 3–20 Summary 149
- Problems** 150

---

## Chapter 4

- Deflection and Stiffness** 173
- 4–1 Spring Rates 174
- 4–2 Tension, Compression, and Torsion 175
- 4–3 Deflection Due to Bending 176
- 4–4 Beam Deflection Methods 179
- 4–5 Beam Deflections by Superposition 180
- 4–6 Beam Deflections by Singularity Functions 182
- 4–7 Strain Energy 188
- 4–8 Castigliano's Theorem 190
- 4–9 Deflection of Curved Members 195
- 4–10 Statically Indeterminate Problems 201
- 4–11 Compression Members—General 207
- 4–12 Long Columns with Central Loading 207
- 4–13 Intermediate-Length Columns with Central Loading 210
- 4–14 Columns with Eccentric Loading 212
- 4–15 Struts or Short Compression Members 215
- 4–16 Elastic Stability 217
- 4–17 Shock and Impact 218
- Problems** 220

---

## Part 2

### Failure Prevention 240

---

#### Chapter 5

- Failures Resulting from Static Loading** 241
- 5–1 Static Strength 244
- 5–2 Stress Concentration 245
- 5–3 Failure Theories 247

- 5–4 Maximum-Shear-Stress Theory for Ductile Materials 247
- 5–5 Distortion-Energy Theory for Ductile Materials 249
- 5–6 Coulomb-Mohr Theory for Ductile Materials 255
- 5–7 Failure of Ductile Materials Summary 258
- 5–8 Maximum-Normal-Stress Theory for Brittle Materials 262
- 5–9 Modifications of the Mohr Theory for Brittle Materials 263
- 5–10 Failure of Brittle Materials Summary 265
- 5–11 Selection of Failure Criteria 266
- 5–12 Introduction to Fracture Mechanics 266
- 5–13 Important Design Equations 275
- Problems** 276

---

#### Chapter 6

### Fatigue Failure Resulting from Variable Loading 285

- 6–1 Introduction to Fatigue 286
- 6–2 Chapter Overview 287
- 6–3 Crack Nucleation and Propagation 288
- 6–4 Fatigue-Life Methods 294
- 6–5 The Linear-Elastic Fracture Mechanics Method 295
- 6–6 The Strain-Life Method 299
- 6–7 The Stress-Life Method and the *S-N* Diagram 302
- 6–8 The Idealized *S-N* Diagram for Steels 304
- 6–9 Endurance Limit Modifying Factors 309
- 6–10 Stress Concentration and Notch Sensitivity 320
- 6–11 Characterizing Fluctuating Stresses 325
- 6–12 The Fluctuating-Stress Diagram 327
- 6–13 Fatigue Failure Criteria 333
- 6–14 Constant-Life Curves 342
- 6–15 Fatigue Failure Criterion for Brittle Materials 345
- 6–16 Combinations of Loading Modes 347
- 6–17 Cumulative Fatigue Damage 351
- 6–18 Surface Fatigue Strength 356
- 6–19 Road Maps and Important Design Equations for the Stress-Life Method 359
- Problems** 363

Part 3

Design of Mechanical Elements 372

Chapter 7

Shafts and Shaft Components 373

- 7-1 Introduction 374
- 7-2 Shaft Materials 374
- 7-3 Shaft Layout 375
- 7-4 Shaft Design for Stress 380
- 7-5 Deflection Considerations 391
- 7-6 Critical Speeds for Shafts 395
- 7-7 Miscellaneous Shaft Components 400
- 7-8 Limits and Fits 406
- Problems 411

Chapter 8

Screws, Fasteners, and the Design of Nonpermanent Joints 421

- 8-1 Thread Standards and Definitions 422
- 8-2 The Mechanics of Power Screws 426
- 8-3 Threaded Fasteners 434
- 8-4 Joints—Fastener Stiffness 436
- 8-5 Joints—Member Stiffness 437
- 8-6 Bolt Strength 443
- 8-7 Tension Joints—The External Load 446
- 8-8 Relating Bolt Torque to Bolt Tension 448
- 8-9 Statically Loaded Tension Joint with Preload 452
- 8-10 Gasketed Joints 456
- 8-11 Fatigue Loading of Tension Joints 456
- 8-12 Bolted and Riveted Joints Loaded in Shear 463
- Problems 471

Chapter 9

Welding, Bonding, and the Design of Permanent Joints 485

- 9-1 Welding Symbols 486
- 9-2 Butt and Fillet Welds 488
- 9-3 Stresses in Welded Joints in Torsion 492
- 9-4 Stresses in Welded Joints in Bending 497
- 9-5 The Strength of Welded Joints 499

- 9-6 Static Loading 502
- 9-7 Fatigue Loading 505
- 9-8 Resistance Welding 507
- 9-9 Adhesive Bonding 508
- Problems 516

Chapter 10

Mechanical Springs 525

- 10-1 Stresses in Helical Springs 526
- 10-2 The Curvature Effect 527
- 10-3 Deflection of Helical Springs 528
- 10-4 Compression Springs 528
- 10-5 Stability 529
- 10-6 Spring Materials 531
- 10-7 Helical Compression Spring Design for Static Service 535
- 10-8 Critical Frequency of Helical Springs 542
- 10-9 Fatigue Loading of Helical Compression Springs 543
- 10-10 Helical Compression Spring Design for Fatigue Loading 547
- 10-11 Extension Springs 550
- 10-12 Helical Coil Torsion Springs 557
- 10-13 Belleville Springs 564
- 10-14 Miscellaneous Springs 565
- 10-15 Summary 567
- Problems 567

Chapter 11

Rolling-Contact Bearings 575

- 11-1 Bearing Types 576
- 11-2 Bearing Life 579
- 11-3 Bearing Load Life at Rated Reliability 580
- 11-4 Reliability versus Life—The Weibull Distribution 582
- 11-5 Relating Load, Life, and Reliability 583
- 11-6 Combined Radial and Thrust Loading 585
- 11-7 Variable Loading 590
- 11-8 Selection of Ball and Cylindrical Roller Bearings 593
- 11-9 Selection of Tapered Roller Bearings 596
- 11-10 Design Assessment for Selected Rolling-Contact Bearings 604

- 11–11** Lubrication 608
- 11–12** Mounting and Enclosure 609
- Problems** 613

## Chapter **12**

### Lubrication and Journal Bearings 623

- 12–1** Types of Lubrication 624
- 12–2** Viscosity 625
- 12–3** Petroff's Equation 627
- 12–4** Stable Lubrication 632
- 12–5** Thick-Film Lubrication 633
- 12–6** Hydrodynamic Theory 634
- 12–7** Design Variables 639
- 12–8** The Relations of the Variables 640
- 12–9** Steady-State Conditions in Self-Contained Bearings 649
- 12–10** Clearance 653
- 12–11** Pressure-Fed Bearings 655
- 12–12** Loads and Materials 661
- 12–13** Bearing Types 662
- 12–14** Dynamically Loaded Journal Bearings 663
- 12–15** Boundary-Lubricated Bearings 670
- Problems** 677

## Chapter **13**

### Gears—General 681

- 13–1** Types of Gears 682
- 13–2** Nomenclature 683
- 13–3** Conjugate Action 684
- 13–4** Involute Properties 685
- 13–5** Fundamentals 686
- 13–6** Contact Ratio 689
- 13–7** Interference 690
- 13–8** The Forming of Gear Teeth 693
- 13–9** Straight Bevel Gears 695
- 13–10** Parallel Helical Gears 696
- 13–11** Worm Gears 700
- 13–12** Tooth Systems 701
- 13–13** Gear Trains 703
- 13–14** Force Analysis—Spur Gearing 710
- 13–15** Force Analysis—Bevel Gearing 713

- 13–16** Force Analysis—Helical Gearing 716
- 13–17** Force Analysis—Worm Gearing 719
- Problems** 724

## Chapter **14**

### Spur and Helical Gears 739

- 14–1** The Lewis Bending Equation 740
- 14–2** Surface Durability 749
- 14–3** AGMA Stress Equations 751
- 14–4** AGMA Strength Equations 752
- 14–5** Geometry Factors  $I$  and  $J$  ( $Z_I$  and  $Z_J$ ) 757
- 14–6** The Elastic Coefficient  $C_p$  ( $Z_E$ ) 761
- 14–7** Dynamic Factor  $K_v$  763
- 14–8** Overload Factor  $K_o$  764
- 14–9** Surface Condition Factor  $C_f$  ( $Z_R$ ) 764
- 14–10** Size Factor  $K_s$  765
- 14–11** Load-Distribution Factor  $K_m$  ( $K_H$ ) 765
- 14–12** Hardness-Ratio Factor  $C_H$  ( $Z_W$ ) 767
- 14–13** Stress-Cycle Factors  $Y_N$  and  $Z_N$  768
- 14–14** Reliability Factor  $K_R$  ( $Y_Z$ ) 769
- 14–15** Temperature Factor  $K_T$  ( $Y_\theta$ ) 770
- 14–16** Rim-Thickness Factor  $K_B$  770
- 14–17** Safety Factors  $S_F$  and  $S_H$  771
- 14–18** Analysis 771
- 14–19** Design of a Gear Mesh 781
- Problems** 786

## Chapter **15**

### Bevel and Worm Gears 791

- 15–1** Bevel Gearing—General 792
- 15–2** Bevel-Gear Stresses and Strengths 794
- 15–3** AGMA Equation Factors 797
- 15–4** Straight-Bevel Gear Analysis 808
- 15–5** Design of a Straight-Bevel Gear Mesh 811
- 15–6** Worm Gearing—AGMA Equation 814
- 15–7** Worm-Gear Analysis 818
- 15–8** Designing a Worm-Gear Mesh 822
- 15–9** Buckingham Wear Load 825
- Problems** 826

**Chapter 16**

**Clutches, Brakes, Couplings, and Flywheels** 829

- 16-1** Static Analysis of Clutches and Brakes 831
- 16-2** Internal Expanding Rim Clutches and Brakes 836
- 16-3** External Contracting Rim Clutches and Brakes 844
- 16-4** Band-Type Clutches and Brakes 847
- 16-5** Frictional-Contact Axial Clutches 849
- 16-6** Disk Brakes 852
- 16-7** Cone Clutches and Brakes 856
- 16-8** Energy Considerations 858
- 16-9** Temperature Rise 860
- 16-10** Friction Materials 863
- 16-11** Miscellaneous Clutches and Couplings 866
- 16-12** Flywheels 868
- Problems** 873

**Chapter 17**

**Flexible Mechanical Elements** 881

- 17-1** Belts 882
- 17-2** Flat- and Round-Belt Drives 885
- 17-3** V Belts 900
- 17-4** Timing Belts 908
- 17-5** Roller Chain 909
- 17-6** Wire Rope 917
- 17-7** Flexible Shafts 926
- Problems** 927

**Chapter 18**

**Power Transmission Case Study** 935

- 18-1** Design Sequence for Power Transmission 937
- 18-2** Power and Torque Requirements 938
- 18-3** Gear Specification 938
- 18-4** Shaft Layout 945
- 18-5** Force Analysis 947
- 18-6** Shaft Material Selection 947
- 18-7** Shaft Design for Stress 948
- 18-8** Shaft Design for Deflection 948
- 18-9** Bearing Selection 949

- 18-10** Key and Retaining Ring Selection 950
- 18-11** Final Analysis 953
- Problems** 953

**Part 4**

**Special Topics 954**

**Chapter 19**

**Finite-Element Analysis** 955

- 19-1** The Finite-Element Method 957
- 19-2** Element Geometries 959
- 19-3** The Finite-Element Solution Process 961
- 19-4** Mesh Generation 964
- 19-5** Load Application 966
- 19-6** Boundary Conditions 967
- 19-7** Modeling Techniques 967
- 19-8** Thermal Stresses 970
- 19-9** Critical Buckling Load 972
- 19-10** Vibration Analysis 973
- 19-11** Summary 974
- Problems** 975

**Chapter 20**

**Geometric Dimensioning and Tolerancing** 977

- 20-1** Dimensioning and Tolerancing Systems 978
- 20-2** Definition of Geometric Dimensioning and Tolerancing 979
- 20-3** Datums 983
- 20-4** Controlling Geometric Tolerances 989
- 20-5** Geometric Characteristic Definitions 992
- 20-6** Material Condition Modifiers 1002
- 20-7** Practical Implementation 1004
- 20-8** GD&T in CAD Models 1009
- 20-9** Glossary of GD&T Terms 1010
- Problems** 1012

**Appendixes**

- A Useful Tables** 1019
- B Answers to Selected Problems** 1075
- Index** 1081

## Objectives

---

This text is intended for students beginning the study of mechanical engineering design. The focus is on blending fundamental development of concepts with practical specification of components. Students of this text should find that it inherently directs them into familiarity with both the basis for decisions and the standards of industrial components. For this reason, as students transition to practicing engineers, they will find that this text is indispensable as a reference text. The objectives of the text are to:

- Cover the basics of machine design, including the design process, engineering mechanics and materials, failure prevention under static and variable loading, and characteristics of the principal types of mechanical elements.
- Offer a practical approach to the subject through a wide range of real-world applications and examples.
- Encourage readers to link design and analysis.
- Encourage readers to link fundamental concepts with practical component specification.

## New to This Edition

---

Enhancements and modifications to the eleventh edition are described in the following summaries:

- Chapter 6, *Fatigue Failure Resulting from Variable Loading*, has received a complete update of its presentation. The goals include clearer explanations of underlying mechanics, streamlined approach to the stress-life method, and updates consistent with recent research. The introductory material provides a greater appreciation of the processes involved in crack nucleation and propagation. This allows the strain-life method and the linear-elastic fracture mechanics method to be given proper context within the coverage, as well as to add to the understanding of the factors driving the data used in the stress-life method. The overall methodology of the stress-life approach remains the same, though with expanded explanations and improvements in the presentation.
- Chapter 2, *Materials*, includes expanded coverage of plastic deformation, strain-hardening, true stress and true strain, and cyclic stress-strain properties. This information provides a stronger background for the expanded discussion in Chapter 6 of the mechanism of crack nucleation and propagation.
- Chapter 12, *Lubrication and Journal Bearings*, is improved and updated. The chapter contains a new section on dynamically loaded journal bearings, including the *mobility method* of solution for the journal dynamic orbit. This includes new examples and end-of-chapter problems. The design of big-end connecting rod bearings, used in automotive applications, is also introduced.

- Approximately 100 new end-of-chapter problems are implemented. These are focused on providing more variety in the fundamental problems for first-time exposure to the topics. In conjunction with the web-based parameterized problems available through McGraw-Hill Connect Engineering, the ability to assign new problems each semester is ever stronger.

The following sections received minor but notable improvements in presentation:

Section 3–8 Elastic Strain	Section 7–4 Shaft Design for Stress
Section 3–11 Shear Stresses for Beams in Bending	Section 8–2 The Mechanics of Power Screws
Section 3–14 Stresses in Pressurized Cylinders	Section 8–7 Tension Joints—The External Load
Section 3–15 Stresses in Rotating Rings	Section 13–5 Fundamentals
Section 4–12 Long Columns with Central Loading	Section 16–4 Band-Type Clutches and Brakes
Section 4–13 Intermediate-Length Columns with Central Loading	Section 16–8 Energy Considerations
Section 4–14 Columns with Eccentric Loading	Section 17–2 Flat- and Round-Belt Drives
	Section 17–3 V Belts

In keeping with the well-recognized accuracy and consistency within this text, minor improvements and corrections are made throughout with each new edition. Many of these are in response to the diligent feedback from the community of users.

## Instructor Supplements

Additional media offerings available at <https://connect.mheducation.com> include:

- *Solutions manual*. The instructor’s manual contains solutions to most end-of-chapter nondesign problems.
- *PowerPoint® slides*. Slides outlining the content of the text are provided in PowerPoint format for instructors to use as a starting point for developing lecture presentation materials. The slides include all figures, tables, and equations from the text.

## Acknowledgments

The authors would like to acknowledge those who have contributed to this text for over 50 years and eleven editions. We are especially grateful to those who provided input to this eleventh edition:

Steve Boedo, *Rochester Institute of Technology*: Review and update of Chapter 12, *Lubrication and Journal Bearings*.

Lokesh Dharani, *Missouri University of Science and Technology*: Review and advice regarding the coverage of fracture mechanics and fatigue.

## Reviewers of This and Past Editions

Kenneth Huebner, *Arizona State*

Gloria Starns, *Iowa State*

Tim Lee, *McGill University*

Robert Rizza, *MSOE*

Richard Patton, *Mississippi State University*

Stephen Boedo, *Rochester Institute of Technology*

Om Agrawal, *Southern Illinois University*

Arun Srinivasa, *Texas A&M*

Jason Carey, *University of Alberta*

Patrick Smolinski, *University of Pittsburgh*

Dennis Hong, *Virginia Tech*

Yuan Kang, *Chung Yuan Christian University*

Ana Sakura Zainal Abidin, *Universiti Malaysia Sarawak*



# List of Symbols

This is a list of common symbols used in machine design and in this book. Specialized use in a subject-matter area often attracts fore and post subscripts and superscripts. To make the table brief enough to be useful, the symbol kernels are listed. See Table 14–1 for spur and helical gearing symbols, and Table 15–1 for bevel-gear symbols.

$A$	Area, coefficient
$a$	Distance
$B$	Coefficient, bearing length
Bhn	Brinell hardness
$b$	Distance, fatigue strength exponent, Weibull shape parameter, width
$C$	Basic load rating, bolted-joint constant, center distance, coefficient of variation, column end condition, correction factor, specific heat capacity, spring index, radial clearance
$c$	Distance, fatigue ductility exponent, radial clearance
COV	Coefficient of variation
$D$	Diameter, helix diameter
$d$	Diameter, distance
$E$	Modulus of elasticity, energy, error
$e$	Distance, eccentricity, efficiency, Napierian logarithmic base
$F$	Force, fundamental dimension force
$f$	Coefficient of friction, frequency, function
fom	Figure of merit
$G$	Torsional modulus of elasticity
$g$	Acceleration due to gravity, function
$H$	Heat, power
$H_B$	Brinell hardness
HRC	Rockwell C-scale hardness
$h$	Distance, film thickness
$\bar{h}_{CR}$	Combined overall coefficient of convection and radiation heat transfer
$I$	Integral, linear impulse, mass moment of inertia, second moment of area
$i$	Index
$\mathbf{i}$	Unit vector in $x$ -direction
$J$	Mechanical equivalent of heat, polar second moment of area, geometry factor
$\mathbf{j}$	Unit vector in the $y$ -direction
$K$	Service factor, stress-concentration factor, stress-augmentation factor, torque coefficient
$k$	Marin endurance limit modifying factor, spring rate
$\mathbf{k}$	Unit vector in the $z$ -direction
$L$	Length, life, fundamental dimension length
$\mathcal{L}$	Life in hours

$l$	Length
$M$	Fundamental dimension mass, moment
$\mathbf{M}$	Moment vector, mobility vector
$m$	Mass, slope, strain-strengthening exponent
$N$	Normal force, number, rotational speed, number of cycles
$n$	Load factor, rotational speed, factor of safety
$n_d$	Design factor
$P$	Force, pressure, diametral pitch
PDF	Probability density function
$p$	Pitch, pressure, probability
$Q$	First moment of area, imaginary force, volume
$q$	Distributed load, notch sensitivity
$R$	Radius, reaction force, reliability, Rockwell hardness, stress ratio, reduction in area
$\mathbf{R}$	Vector reaction force
$r$	Radius
$\mathbf{r}$	Distance vector
$S$	Sommerfeld number, strength
$s$	Distance, sample standard deviation, stress
$T$	Temperature, tolerance, torque, fundamental dimension time
$\mathbf{T}$	Torque vector
$t$	Distance, time, tolerance
$U$	Strain energy
$u$	Strain energy per unit volume
$V$	Linear velocity, shear force
$v$	Linear velocity
$W$	Cold-work factor, load, weight
$w$	Distance, gap, load intensity
$X$	Coordinate, truncated number
$x$	Coordinate, true value of a number, Weibull parameter
$Y$	Coordinate
$y$	Coordinate, deflection
$Z$	Coordinate, section modulus, viscosity
$z$	Coordinate, dimensionless transform variable for normal distributions
$\alpha$	Coefficient, coefficient of linear thermal expansion, end-condition for springs, thread angle
$\beta$	Bearing angle, coefficient
$\Delta$	Change, deflection
$\delta$	Deviation, elongation
$\epsilon$	Eccentricity ratio
$\varepsilon$	Engineering strain
$\tilde{\varepsilon}$	True or logarithmic strain
$\tilde{\varepsilon}_f$	True fracture strain
$\varepsilon'_f$	Fatigue ductility coefficient
$\Gamma$	Gamma function, pitch angle
$\gamma$	Pitch angle, shear strain, specific weight
$\lambda$	Slenderness ratio for springs
$\mu$	Absolute viscosity, population mean
$\nu$	Poisson ratio
$\omega$	Angular velocity, circular frequency

$\phi$	Angle, wave length
$\psi$	Slope integral
$\rho$	Radius of curvature, mass density
$\sigma$	Normal stress
$\sigma_a$	Alternating stress, stress amplitude
$\sigma_{ar}$	Completely reversed alternating stress
$\sigma_m$	Mean stress
$\sigma_0$	Nominal stress, strength coefficient or strain-strengthening coefficient
$\sigma'_f$	Fatigue strength coefficient
$\tilde{\sigma}$	True stress
$\tilde{\sigma}_f$	True fracture strength
$\sigma'$	Von Mises stress
$\hat{\sigma}$	Standard deviation
$\tau$	Shear stress
$\theta$	Angle, Weibull characteristic parameter
$\phi$	Cost per unit weight
$\$$	Cost

# Affordability & Outcomes = Academic Freedom!

You deserve choice, flexibility and control. You know what's best for your students and selecting the course materials that will help them succeed should be in your hands.

That's why providing you with a wide range of options that lower costs and drive better outcomes is our highest priority.



Students—study more efficiently, retain more and achieve better outcomes. Instructors—focus on what you love—teaching.



## They'll thank you for it.

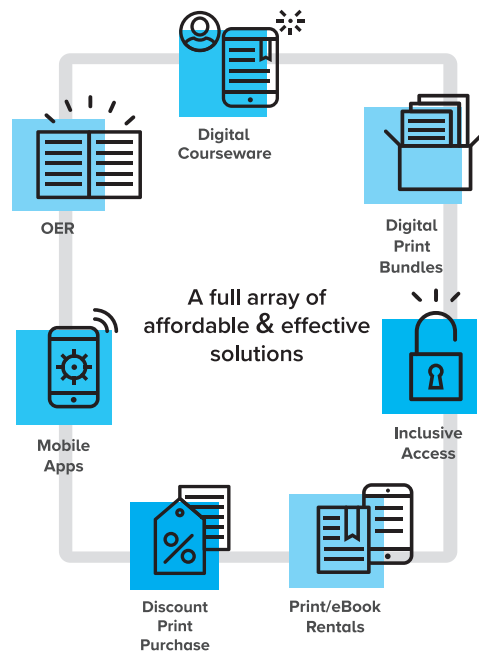
Study resources in Connect help your students be better prepared in less time. You can transform your class time from dull definitions to dynamic discussion. Hear from your peers about the benefits of Connect at [www.mheducation.com/highered/connect](http://www.mheducation.com/highered/connect)

## Study anytime, anywhere.

Download the free ReadAnywhere app and access your online eBook when it's convenient, even if you're offline. And since the app automatically syncs with your eBook in Connect, all of your notes are available every time you open it. Find out more at [www.mheducation.com/readanywhere](http://www.mheducation.com/readanywhere)

## Learning for everyone.

McGraw-Hill works directly with Accessibility Services Departments and faculty to meet the learning needs of all students. Please contact your Accessibility Services office and ask them to email [accessibility@mheducation.com](mailto:accessibility@mheducation.com), or visit [www.mheducation.com/about/accessibility.html](http://www.mheducation.com/about/accessibility.html) for more information.



Learn more at: [www.mheducation.com/realvalue](http://www.mheducation.com/realvalue)



### Rent It

Affordable print and digital rental options through our partnerships with leading textbook distributors including Amazon, Barnes & Noble, Chegg, Follett, and more.



### Go Digital

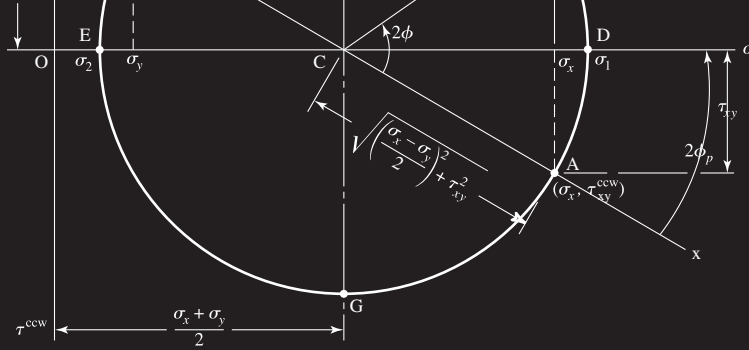
A full and flexible range of affordable digital solutions ranging from Connect, ALEKS, inclusive access, mobile apps, OER and more.



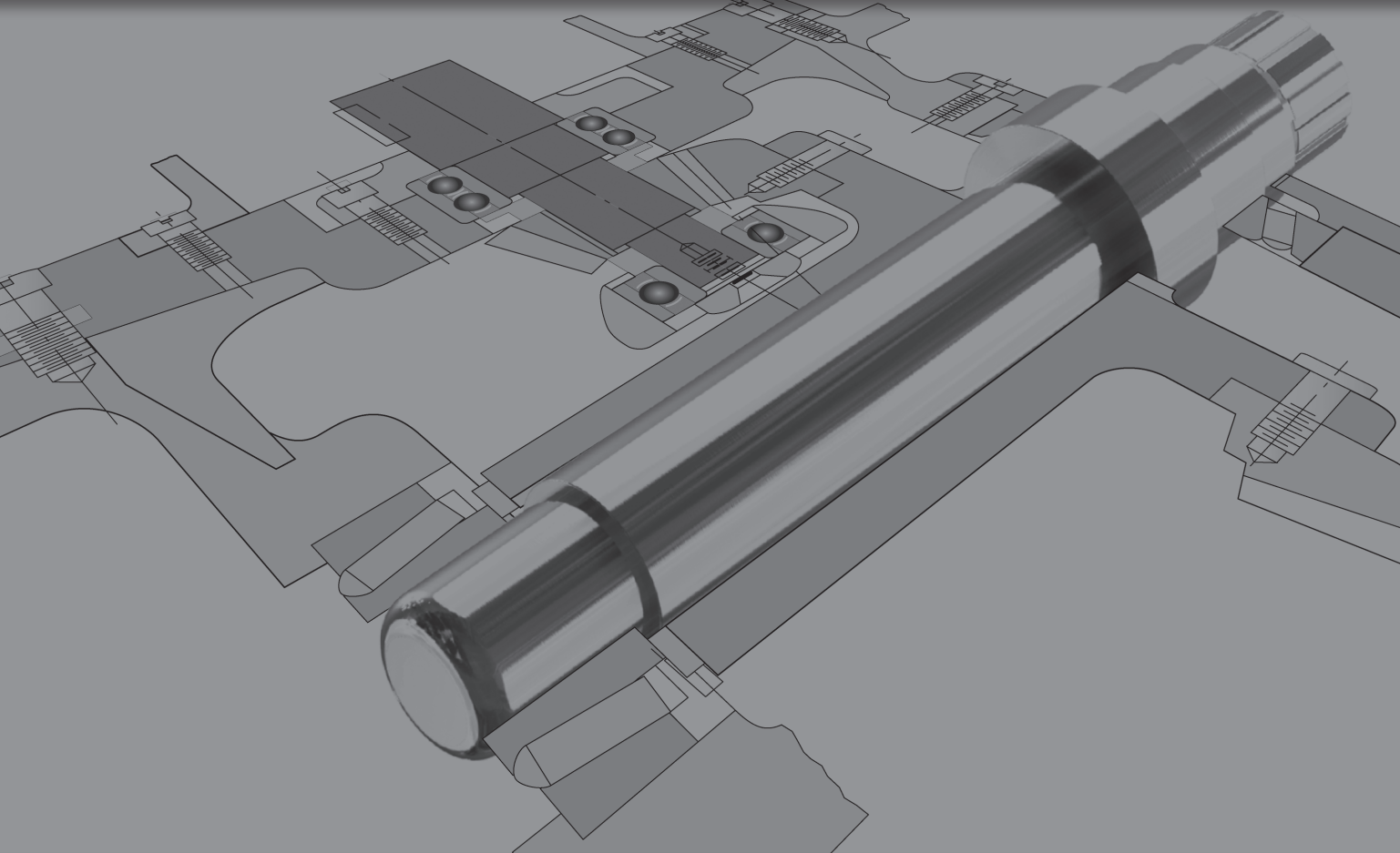
### Get Print

Students who purchase digital materials can get a loose-leaf print version at a significantly reduced rate to meet their individual preferences and budget.

**Shigley's  
Mechanical  
Engineering  
Design**



part **1**



*Courtesy of Dee Dehokenanan*

# Basics

- Chapter 1** Introduction to Mechanical Engineering Design **3**
- Chapter 2** Materials **41**
- Chapter 3** Load and Stress Analysis **93**
- Chapter 4** Deflection and Stiffness **173**

# 1 Introduction to Mechanical Engineering Design



©Monty Rakusen/Getty Images

## Chapter Outline

- |            |   |           |             |  |           |
|------------|---|-----------|-------------|--|-----------|
| <b>1-1</b> | Design  | <b>4</b>  | <b>1-10</b> | Uncertainty                                  | <b>16</b> |
| <b>1-2</b> | Mechanical Engineering Design                       | <b>5</b>  | <b>1-11</b> | Design Factor and Factor of Safety           | <b>18</b> |
| <b>1-3</b> | Phases and Interactions of the Design Process       | <b>5</b>  | <b>1-12</b> | Reliability and Probability of Failure       | <b>20</b> |
| <b>1-4</b> | Design Tools and Resources                          | <b>8</b>  | <b>1-13</b> | Relating Design Factor to Reliability        | <b>24</b> |
| <b>1-5</b> | The Design Engineer's Professional Responsibilities | <b>10</b> | <b>1-14</b> | Dimensions and Tolerances                    | <b>27</b> |
| <b>1-6</b> | Standards and Codes                                 | <b>12</b> | <b>1-15</b> | Units  | <b>31</b> |
| <b>1-7</b> | Economics   | <b>13</b> | <b>1-16</b> | Calculations and Significant Figures         | <b>32</b> |
| <b>1-8</b> | Safety and Product Liability                        | <b>15</b> | <b>1-17</b> | Design Topic Interdependencies               | <b>33</b> |
| <b>1-9</b> | Stress and Strength                                 | <b>16</b> | <b>1-18</b> | Power Transmission Case Study Specifications | <b>34</b> |

Mechanical design is a complex process, requiring many skills. Extensive relationships need to be subdivided into a series of simple tasks. The complexity of the process requires a sequence in which ideas are introduced and iterated.

We first address the nature of design in general, and then mechanical engineering design in particular. Design is an iterative process with many interactive phases. Many resources exist to support the designer, including many sources of information and an abundance of computational design tools. Design engineers need not only develop competence in their field but they must also cultivate a strong sense of responsibility and professional work ethic.

There are roles to be played by codes and standards, ever-present economics, safety, and considerations of product liability. The survival of a mechanical component is often related through stress and strength. Matters of uncertainty are ever-present in engineering design and are typically addressed by the design factor and factor of safety, either in the form of a deterministic (absolute) or statistical sense. The latter, statistical approach, deals with a design's *reliability* and requires good statistical data.

In mechanical design, other considerations include dimensions and tolerances, units, and calculations.

This book consists of four parts. Part 1, *Basics*, begins by explaining some differences between design and analysis and introducing some fundamental notions and approaches to design. It continues with three chapters reviewing material properties, stress analysis, and stiffness and deflection analysis, which are the principles necessary for the remainder of the book.

Part 2, *Failure Prevention*, consists of two chapters on the prevention of failure of mechanical parts. Why machine parts fail and how they can be designed to prevent failure are difficult questions, and so we take two chapters to answer them, one on preventing failure due to static loads, and the other on preventing fatigue failure due to time-varying, cyclic loads.

In Part 3, *Design of Mechanical Elements*, the concepts of Parts 1 and 2 are applied to the analysis, selection, and design of specific mechanical elements such as shafts, fasteners, weldments, springs, rolling contact bearings, film bearings, gears, belts, chains, and wire ropes.

Part 4, *Special Topics*, provides introductions to two important methods used in mechanical design, finite element analysis and geometric dimensioning and tolerancing. This is optional study material, but some sections and examples in Parts 1 to 3 demonstrate the use of these tools.

There are two appendixes at the end of the book. Appendix A contains many useful tables referenced throughout the book. Appendix B contains answers to selected end-of-chapter problems.

---

## 1-1 Design

To design is either to formulate a plan for the satisfaction of a specified need or to solve a specific problem. If the plan results in the creation of something having a physical reality, then the product must be functional, safe, reliable, competitive, usable, manufacturable, and marketable.

Design is an innovative and highly iterative process. It is also a decision-making process. Decisions sometimes have to be made with too little information, occasionally with just the right amount of information, or with an excess of partially contradictory information. Decisions are sometimes made tentatively, with the right reserved to



adjust as more becomes known. The point is that the engineering designer has to be personally comfortable with a decision-making, problem-solving role.

Design is a communication-intensive activity in which both words and pictures are used, and written and oral forms are employed. Engineers have to communicate effectively and work with people of many disciplines. These are important skills, and an engineer's success depends on them.

A designer's personal resources of creativeness, communicative ability, and problem-solving skill are intertwined with the knowledge of technology and first principles. Engineering tools (such as mathematics, statistics, computers, graphics, and languages) are combined to produce a plan that, when carried out, produces a product that is *functional, safe, reliable, competitive, usable, manufacturable, and marketable*, regardless of who builds it or who uses it.

## 1-2 Mechanical Engineering Design

---

Mechanical engineers are associated with the production and processing of energy and with providing the means of production, the tools of transportation, and the techniques of automation. The skill and knowledge base are extensive. Among the disciplinary bases are mechanics of solids and fluids, mass and momentum transport, manufacturing processes, and electrical and information theory. Mechanical engineering design involves all the disciplines of mechanical engineering.

Real problems resist compartmentalization. A simple journal bearing involves fluid flow, heat transfer, friction, energy transport, material selection, thermomechanical treatments, statistical descriptions, and so on. A building is environmentally controlled. The heating, ventilation, and air-conditioning considerations are sufficiently specialized that some speak of heating, ventilating, and air-conditioning design as if it is separate and distinct from mechanical engineering design. Similarly, internal-combustion engine design, turbomachinery design, and jet-engine design are sometimes considered discrete entities. Here, the leading string of words preceding the word design is merely a product descriptor. Similarly, there are phrases such as machine design, machine-element design, machine-component design, systems design, and fluid-power design. All of these phrases are somewhat more focused *examples* of mechanical engineering design. They all draw on the same bodies of knowledge, are similarly organized, and require similar skills.

## 1-3 Phases and Interactions of the Design Process

---

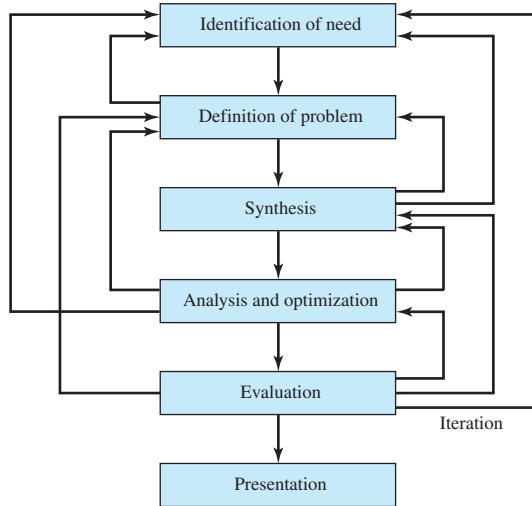
What is the design process? How does it begin? Does the engineer simply sit down at a desk with a blank sheet of paper and jot down some ideas? What happens next? What factors influence or control the decisions that have to be made? Finally, how does the design process end?

The complete design process, from start to finish, is often outlined as in Figure 1-1. The process begins with an identification of a need and a decision to do something about it. After many iterations, the process ends with the presentation of the plans for satisfying the need. Depending on the nature of the design task, several design phases may be repeated throughout the life of the product, from inception to termination. In the next several subsections, we shall examine these steps in the design process in detail.

*Identification of need* generally starts the design process. Recognition of the need and phrasing the need often constitute a highly creative act, because the need may be

**Figure 1–1**

The phases in design, acknowledging the many feedbacks and iterations.



only a vague discontent, a feeling of uneasiness, or a sensing that something is not right. The need is often not evident at all; recognition can be triggered by a particular adverse circumstance or a set of random circumstances that arises almost simultaneously. For example, the need to do something about a food-packaging machine may be indicated by the noise level, by a variation in package weight, and by slight but perceptible variations in the quality of the packaging or wrap.

There is a distinct difference between the statement of the need and the definition of the problem. The *definition of problem* is more specific and must include all the specifications for the object that is to be designed. The specifications are the input and output quantities, the characteristics and dimensions of the space the object must occupy, and all the limitations on these quantities. We can regard the object to be designed as something in a black box. In this case we must specify the inputs and outputs of the box, together with their characteristics and limitations. The specifications define the cost, the number to be manufactured, the expected life, the range, the operating temperature, and the reliability. Specified characteristics can include the speeds, feeds, temperature limitations, maximum range, expected variations in the variables, dimensional and weight limitations, and more.

There are many implied specifications that result either from the designer's particular environment or from the nature of the problem itself. The manufacturing processes that are available, together with the facilities of a certain plant, constitute restrictions on a designer's freedom, and hence are a part of the implied specifications. It may be that a small plant, for instance, does not own cold-working machinery. Knowing this, the designer might select other metal-processing methods that can be performed in the plant. The labor skills available and the competitive situation also constitute implied constraints. Anything that limits the designer's freedom of choice is a constraint. Many materials and sizes are listed in supplier's catalogs, for instance, but these are not all easily available and shortages frequently occur. Furthermore, inventory economics requires that a manufacturer stock a minimum number of materials and sizes. An example of a specification is given in Section 1–18. This example is for a case study of a power transmission that is presented throughout this text.

The *synthesis* of a scheme connecting possible system elements is sometimes called the *invention of the concept* or *concept design*. This is the first and most important

step in the synthesis task. Various schemes must be proposed, investigated, and quantified in terms of established metrics.<sup>1</sup> As the fleshing out of the scheme progresses, analyses must be performed to assess whether the system performance is satisfactory or better, and, if satisfactory, just how well it will perform. System schemes that do not survive analysis are revised, improved, or discarded. Those with potential are optimized to determine the best performance of which the scheme is capable. Competing schemes are compared so that the path leading to the most competitive product can be chosen. Figure 1–1 shows that synthesis and *analysis and optimization* are intimately and iteratively related.

We have noted, and we emphasize, that design is an iterative process in which we proceed through several steps, evaluate the results, and then return to an earlier phase of the procedure. Thus, we may synthesize several components of a system, analyze and optimize them, and return to synthesis to see what effect this has on the remaining parts of the system. For example, the design of a system to transmit power requires attention to the design and selection of individual components (e.g., gears, bearings, shaft). However, as is often the case in design, these components are not independent. In order to design the shaft for stress and deflection, it is necessary to know the applied forces. If the forces are transmitted through gears, it is necessary to know the gear specifications in order to determine the forces that will be transmitted to the shaft. But stock gears come with certain bore sizes, requiring knowledge of the necessary shaft diameter. Clearly, rough estimates will need to be made in order to proceed through the process, refining and iterating until a final design is obtained that is satisfactory for each individual component as well as for the overall design specifications. Throughout the text we will elaborate on this process for the case study of a power transmission design.

Both analysis and optimization require that we construct or devise abstract models of the system that will admit some form of mathematical analysis. We call these models mathematical models. In creating them it is our hope that we can find one that will simulate the real physical system very well. As indicated in Figure 1–1, *evaluation* is a significant phase of the total design process. Evaluation is the final proof of a successful design and usually involves the testing of a prototype in the laboratory. Here we wish to discover if the design really satisfies the needs. Is it reliable? Will it compete successfully with similar products? Is it economical to manufacture and to use? Is it easily maintained and adjusted? Can a profit be made from its sale or use? How likely is it to result in product-liability lawsuits? And is insurance easily and cheaply obtained? Is it likely that recalls will be needed to replace defective parts or systems? The project designer or design team will need to address a myriad of engineering and non-engineering questions.

Communicating the design to others is the final, vital *presentation* step in the design process. Undoubtedly, many great designs, inventions, and creative works have been lost to posterity simply because the originators were unable or unwilling to properly explain their accomplishments to others. Presentation is a selling job. The engineer, when presenting a new solution to administrative, management, or supervisory persons, is attempting to sell or to prove to them that their solution is a better one. Unless this can be done successfully, the time and effort spent on obtaining the

---

<sup>1</sup>An excellent reference for this topic is presented by Stuart Pugh, *Total Design—Integrated Methods for Successful Product Engineering*, Addison-Wesley, 1991. A description of the *Pugh method* is also provided in Chapter 8, David G. Ullman, *The Mechanical Design Process*, 3rd ed., McGraw-Hill, New York, 2003.

solution have been largely wasted. When designers sell a new idea, they also sell themselves. If they are repeatedly successful in selling ideas, designs, and new solutions to management, they begin to receive salary increases and promotions; in fact, this is how anyone succeeds in his or her profession.

### Design Considerations

Sometimes the strength required of an element in a system is an important factor in the determination of the geometry and the dimensions of the element. In such a situation we say that strength is an important *design consideration*. When we use the expression design consideration, we are referring to some characteristic that influences the design of the element or, perhaps, the entire system. Usually quite a number of such characteristics must be considered and prioritized in a given design situation. Many of the important ones are as follows (not necessarily in order of importance):

- |    |                                 |    |                                   |
|----|---------------------------------|----|-----------------------------------|
| 1  | Functionality                   | 14 | Noise                             |
| 2  | Strength/stress                 | 15 | Styling                           |
| 3  | Distortion/deflection/stiffness | 16 | Shape                             |
| 4  | Wear                            | 17 | Size                              |
| 5  | Corrosion                       | 18 | Control                           |
| 6  | Safety                          | 19 | Thermal properties                |
| 7  | Reliability                     | 20 | Surface                           |
| 8  | Manufacturability               | 21 | Lubrication                       |
| 9  | Utility                         | 22 | Marketability                     |
| 10 | Cost                            | 23 | Maintenance                       |
| 11 | Friction                        | 24 | Volume                            |
| 12 | Weight                          | 25 | Liability                         |
| 13 | Life                            | 26 | Remanufacturing/resource recovery |

Some of these characteristics have to do directly with the dimensions, the material, the processing, and the joining of the elements of the system. Several characteristics may be interrelated, which affects the configuration of the total system.

## 1–4 Design Tools and Resources

Today, the engineer has a great variety of tools and resources available to assist in the solution of design problems. Inexpensive microcomputers and robust computer software packages provide tools of immense capability for the design, analysis, and simulation of mechanical components. In addition to these tools, the engineer always needs technical information, either in the form of basic science/engineering behavior or the characteristics of specific off-the-shelf components. Here, the resources can range from science/engineering textbooks to manufacturers' brochures or catalogs. Here too, the computer can play a major role in gathering information.<sup>2</sup>

### Computational Tools

Computer-aided design (CAD) software allows the development of three-dimensional (3-D) designs from which conventional two-dimensional orthographic views with automatic dimensioning can be produced. Manufacturing tool paths can be generated

<sup>2</sup>An excellent and comprehensive discussion of the process of "gathering information" can be found in Chapter 4, George E. Dieter, *Engineering Design, A Materials and Processing Approach*, 3rd ed., McGraw-Hill, New York, 2000.

from the computer 3-D models, and in many cases, parts can be created directly from the 3-D database using rapid prototyping additive methods referred to as *3-D printing* or *STL (stereolithography)*. Another advantage of a 3-D database is that it allows rapid and accurate calculation of mass properties such as mass, location of the center of gravity, and mass moments of inertia. Other geometric properties such as areas and distances between points are likewise easily obtained. There are a great many CAD software packages available such as CATIA, AutoCAD, NX, MicroStation, SolidWorks, and Creo, to name only a few.<sup>3</sup>

The term *computer-aided engineering* (CAE) generally applies to all computer-related engineering applications. With this definition, CAD can be considered as a subset of CAE. Some computer software packages perform specific engineering analysis and/or simulation tasks that assist the designer, but they are not considered a tool for the creation of the design that CAD is. Such software fits into two categories: engineering-based and non-engineering-specific. Some examples of engineering-based software for mechanical engineering applications—software that might also be integrated within a CAD system—include finite-element analysis (FEA) programs for analysis of stress and deflection (see Chapter 19), vibration, and heat transfer (e.g., ALGOR, ANSYS, MSC/NASTRAN, etc.); computational fluid dynamics (CFD) programs for fluid-flow analysis and simulation (e.g., CFD++, Star-CCM+, Fluent, etc.); and programs for simulation of dynamic force and motion in mechanisms (e.g., ADAMS, LMS Virtual.Lab Motion, Working Model, etc.).

Examples of non-engineering-specific computer-aided applications include software for word processing, spreadsheet software (e.g., Excel, Quattro-Pro, Google Sheets, etc.), and mathematical solvers (e.g., Maple, MathCad, MATLAB, Mathematica, TKsolver, etc.).

Your instructor is the best source of information about programs that may be available to you and can recommend those that are useful for specific tasks. One caution, however: Computer software is no substitute for the human thought process. *You* are the driver here; the computer is the vehicle to assist you on your journey to a solution. Numbers generated by a computer can be far from the truth if you entered incorrect input, if you misinterpreted the application or the output of the program, if the program contained bugs, etc. It is your responsibility to assure the validity of the results, so be careful to check the application and results carefully, perform benchmark testing by submitting problems with known solutions, and monitor the software company and user-group newsletters.

### Acquiring Technical Information

We currently live in what is referred to as the *information age*, where information is generated at an astounding pace. It is difficult, but extremely important, to keep abreast of past and current developments in one's field of study and occupation. The reference in footnote 2 provides an excellent description of the informational resources available and is highly recommended reading for the serious design engineer. Some sources of information are:

- **Libraries (community, university, and private).** Engineering dictionaries and encyclopedias, textbooks, monographs, handbooks, indexing and abstract services, journals, translations, technical reports, patents, and business sources/brochures/catalogs.

<sup>3</sup>The commercial softwares mentioned in this section are but a few of the many that are available and are by no means meant to be endorsements by the authors.